

4-Way Locks 231, 232



Application

Installed inside wood or metal doors to provide 4-way multi-bolt locking.

Operation

360° key rotation for deadbolt action.

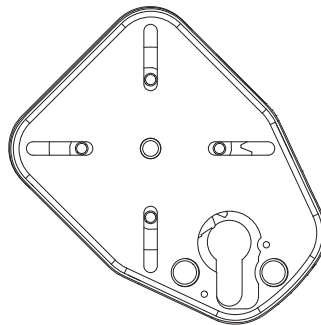
Options

- Left Hand model 231
- Right Hand model 232
- Hardware colors: white, brown, shiny brass, nickel chrome

Materials

Case and mechanism: steel
Bolts: steel (optional hardened)
Cylinder protector: hardened steel

231 Left



232 Right

