

Drawer Latch Lock



Application

Securing drawers and small cabinets.

Operation

- 45° rotation by operating key
- Slam locking mechanism

Options

Two latch sizes available.

Materials

Body and plug: brass
 Lock case: steel
 Latch: cast zinc alloy
 Pins: nickel silver and stainless steel

Standard finishes

Brass, nickel satin, shiny brass

Cylinder mechanism

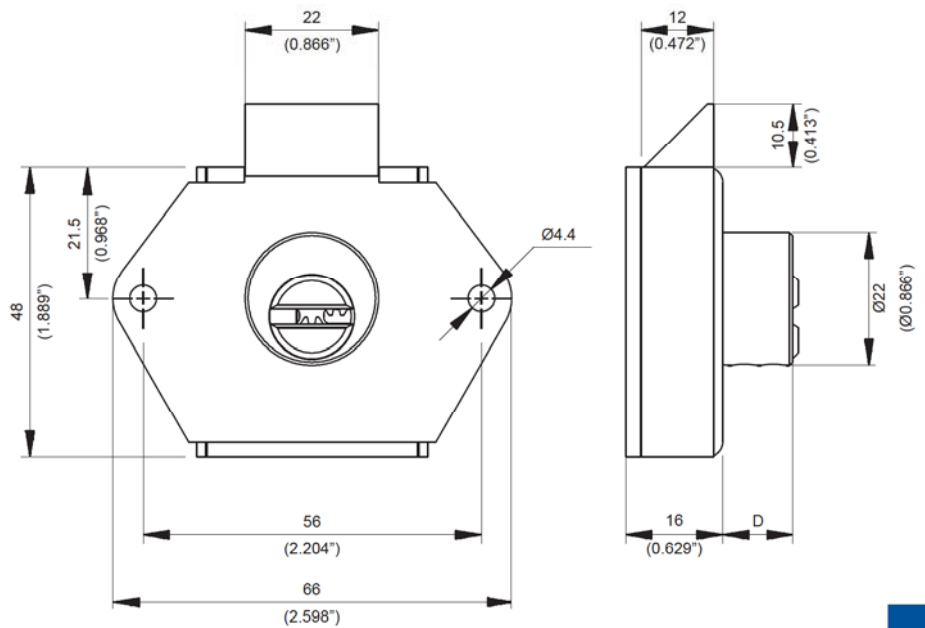
Mul-T-Lock's unique high precision pin tumbler system.

Keys

Reversible nickel silver key with plastic key head and colored insert for identification. Also available in all nickel silver.

Cylinder options

- Classic, Interactive[®]+, MT5[®] platforms
- Keyed different, keyed alike
- Master keyed



Type		D	Chambers
Regular	mm	11.5	4
	Inch	0.452	
Heavy duty	mm	21.5	5
	Inch	0.846	

