

Cam Lock

Ø29 mm (1 1/8")



Applications

Mul-T-Lock® cam locks are available in various sizes, making them suitable for a wide range of applications.

Operation

90° cam rotation. Adjustable for clockwise or counter-clockwise operation.

Materials

Body, plug and ring: brass

Cam: steel

Pins: nickel silver and stainless steel

Standard finish

Nickel chrome matt, shiny brass, nickel chrome

Special finishes

Antique brass

Cylinder mechanism

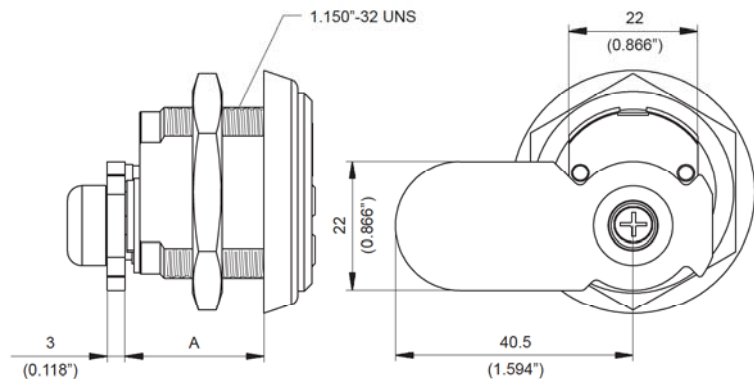
Mul-T-Lock's unique, high precision pin tumbler system.

Keys

Reversible nickel silver key with plastic key head and colored insert for identification. Also available in all nickel silver.

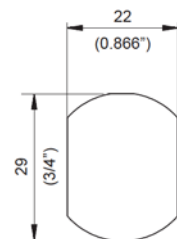
Cylinder options

- Classic, Interactive®+, MT5® platforms
- Keyed different, keyed alike
- Master keyed
- '3 IN 1' (changeable combination)



	mm	Inch	Chambers
A	24	0.994	4
	28.8	1.133	5

Opening required for installation



Spacer ring (standard mortise ring)

	mm	Inch
B	5.7	0.224
	8.9	0.350
	12.2	0.480
	15.5	0.610

