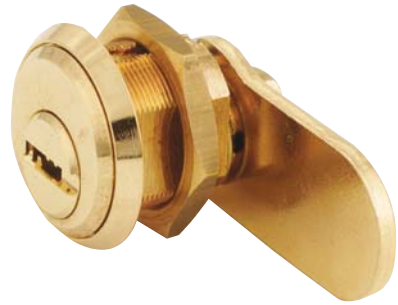


Cam Lock

Ø22 mm (7/8")



Applications

Mul-T-Lock cam locks are available in various sizes, making them suitable for a wide range of applications: cabinets, drawers, parking meters, lockers, cash boxes, payphones etc.

Operation

90° cam rotation. Adjustable for clockwise or counter-clockwise operation.

Materials

Body, plug and ring: brass

Cam: steel

Pins: nickel silver and stainless steel

Standard finishes

Nickel satin, brass

Cylinder mechanism

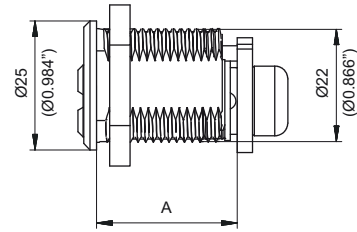
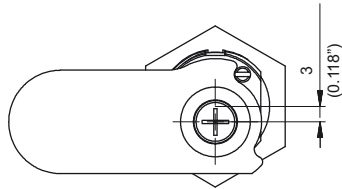
Mul-T-Lock's unique, high precision pin tumbler system.

Keys

Reversible nickel silver key with plastic key head and colored insert for identification. Also available in all nickel silver.

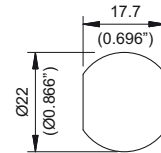
Cylinder options

- Classic, Interactive+, MT5® platforms
- Keyed different, keyed alike
- Master keyed
- '3 IN 1' (changeable combination)



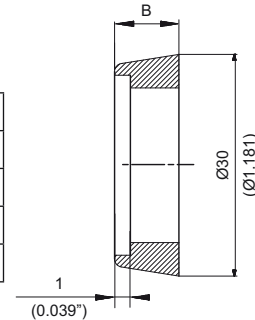
	mm	Inch	Chambers
A	22.5	0.885	4
	27.3	1.075	5
	38.3	1.5	5

Opening required for installation

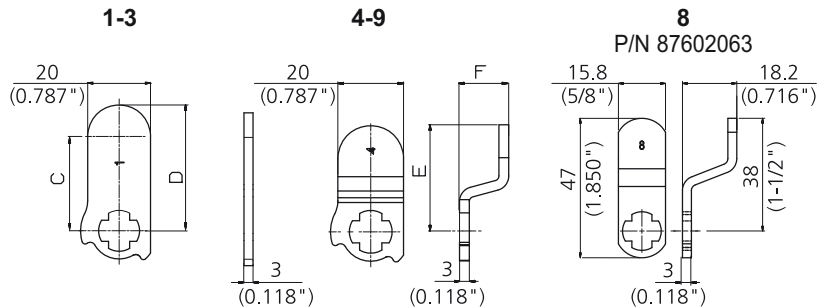


Spacer ring

	mm	Inch
B	2	0.078
	3	0.118
	4	0.157
	8	0.275



Cams available



P/N	C	D	Marking
87602005	30	40	1
87602126	44	54	2
51056090	90	100	3

P/N	E	F	Cam
87602129	32	15	4
87602174	27.8	15	5
87602171	35.3	11.7	6
87602187	27.8	18	9

