

# Cam Lock

Ø19 mm (¾")



Locks

## Applications

Mul-T-Lock cam locks are available in various sizes, making them suitable for a wide range of applications: cabinets, drawers, parking meters, lockers, cash boxes, payphones etc.

## Operation

Retaining: 90°, 180° cam rotation  
 Non-retaining: 90° cam rotation  
 Adjustable for clockwise or counter-clockwise operation.

## Materials

Body, plug and ring: brass

Cam: steel

Pins: nickel silver and stainless steel

## Standard finishes

Nickel satin, brass

## Cylinder mechanism

Mul-T-Lock's unique, high precision pin tumbler system.

## Keys

Reversible nickel silver key with plastic key head and colored insert for identification. Also available in all nickel silver.

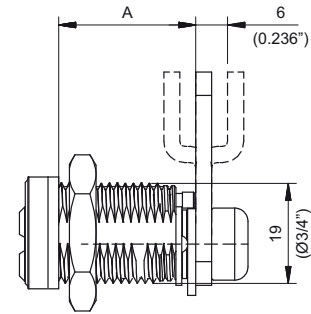
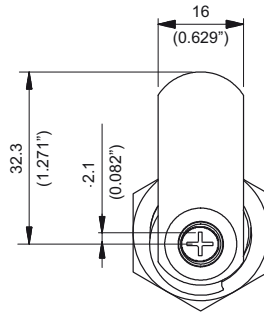
## Cylinder options

- Classic, Interactive+ platforms
- Keyed different, keyed alike
- Master keyed
- Variety of cams

## Standard

UL 437

## Retaining key

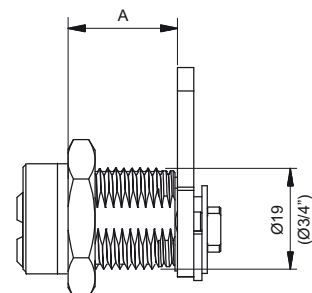
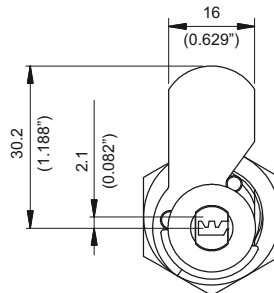


### Retaining key hardware set:

- 1 flat cam
- 1 offset cam
- 1 spacer ring 3.4 mm
- 1 spacer ring 9.4 mm
- 1 plate for wood application

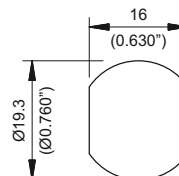
	A	Spacer	Chambers
Inch	5/8"	9.5	4
mm	15.9		
Inch	7/8"	N/A	4
mm	22.2		
Inch	7/8"	Included in set	5
mm	22.2		
Inch	1 1/8"	Included in set	5
mm	28.6		
Inch	1 1/2"	Included in set	5
mm	38.1		

## Non-retaining key



### Non-retaining hardware set:

- 1 flat cam
- 1 spacer ring 3.4 mm
- 1 spacer ring 8.0 mm
- 1 plate for wood application



Opening required for installation